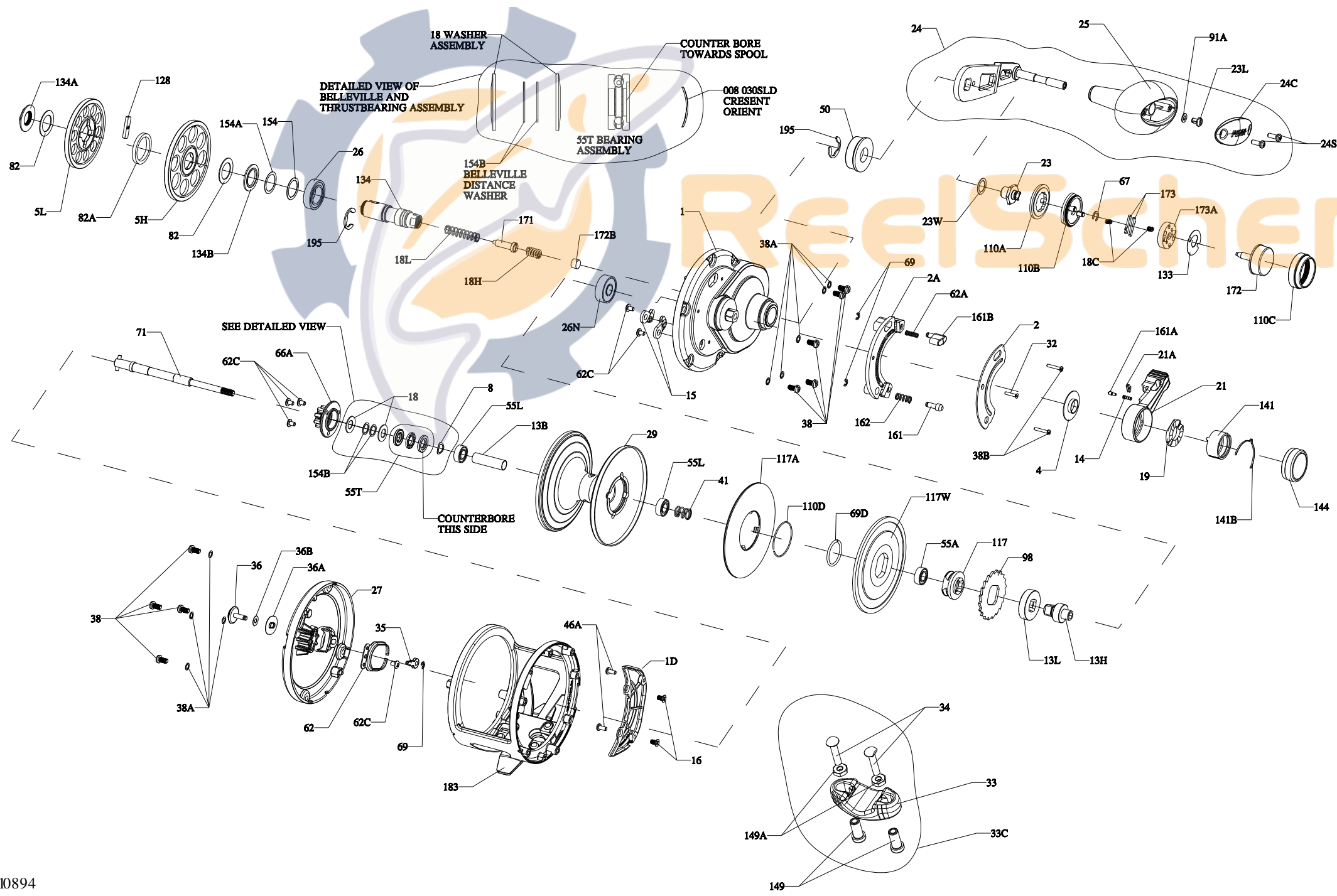




Key No.	Part No.	PENN Style No.	Description	Key No.	Part No.	PENN Style No.	Description	Key No.	Part No.	PENN Style No.	Description
1	I309861	I-FTH40NLD2	Right Side Plate Assembly	19	I296248	I9-TRQ40NLD2	Drag Cam	34	I182788	34-45	Screw, Rod Clamp (2 req)
1D	I309865	ID-FTH40NLD2	Bridge	21	I265010	21-TRQ40NLD2SMK	Lever Drag	35	I188656	35-20	Click Tongue
2	I264974	2-TRQ40NLD2SMK	Quadrant (Gun Smoke)	21A	I265011	21A-TRQ30LD2	Lever Quadrant Spacer	36	I309882	36-FTH40NLD2	Click Button
2A	I264977	2A-TRQ40NLD2	Drag Lever Ratchet	23	I229458	23-12VS	Screw, Handle Nut	36A	I309883	36A-FTH40NLD2	Click Washer
4	I264978	4-TRQ15LD2	Lever Washer	23L	I191283	23L-750	Screw	36B	I188651	36B-20	Washer
5H	I264983	5-FTH40NLD2HS	Main Gear High Speed	23W	I286986	23W-TRQ40NLD2	Handle Nut Washer	38	I309885	38-FTH15LD2	Screw (9 req)
5L	I264984	5-FTH40NLD2LS	Main Gear Low Speed	24	I265018	24-TRQ40NLD2SMK	Handle Assembly	38A	I188649	38A-20	Flat Washer (9 req)
8	I257843	8-30SLD	Spring Washer	24C	I286717	24C-SQL50LW	Handle Knob Cap	38B	I265055	38-TRQ40NLD2S	Screw (2 req)
I3B	I309869	I3B-FTH40NLD2	Sleeve Spindle	24S	I265021	24S-TRQ40NLD2	Screw (Smoke) (2 req)	41	I265056	41-TRQ40NLD2	Drag Disengaging Spring
I3H	I264995	I3-FTH40NLD2HS	High Speed Pinion	25	I286716	25-SQL50	Handle Knob	46A	I183585	46A-4300	Cover Plate Screw (2 req)
I3L	I264996	I3-FTH40NLD2LS	Low Speed Pinion	26	I265023	26-TRQ40NLD2	Ball Bearing	50	I309889	50-FTH60LD2	Shield, Guard
14	I181406	14-535	Spring- Dog	26N	I182145	26N-25	Bearing- Ball	55A	I238912	55A-50SLD	Ball Bearing
15	I229374	15-TRQ40	Dog Asm (2 req)	27	I309874	27-FTH40NLD2	Left Side Plate Assembly	55L	I286985	55L-20	Ball Bearing (2 req)
16	I188686	16-20	Bridge Screw (2 req)	29	I309879	29-FTH40NLD2	Spool	55T	I238913	55T-30SLD	Thrust Bearing
18	I265001	18-TRQ40NLD2	Spring Washer (2 req)	32	I265049	32-TRQ15LD2S	Screw	62	I188664	62-20	Click Spring
18C	I181632	18C-15KG	Spring Shift Button (2 req)	33	I290729	33-TRQ	Rod Clamp Aluminum	62A	I236596	62-TRQ40	Spring Click Locator
18H	I265002	18H-30SLD2	Spring	33C	I290731	33C-TRQ40NLD2	Rod Clamp Kit	62C	I188654	62C-20	Screw (6 req)
18L	I265003	18L-30SLD2	Spring					66A	I265059	66A-FTHLD	Click Gear



66A	I265059	66A-FTHLD	Click Gear
67	I184105	67-30VS	Ring Retaining
69	I188657	69-20	Retainer (3 req)
69D	I265060	69D-FTH15LD	Retaining Ring
71	I309893	71-FTH40NLD2	Spindle Complete
82	I265070	82-TRQ40NLD2	Washer Teflon (2 req)
82A	I265071	82A-30SLD2	Washer Teflon
91A	I277514	91A-TRQ40NLD2	Handle Knob Washer
98	I265073	98-FTH40NLD2	Ratchet
110A	I230438	110A-12VS	Ring, Handle Screw Locking
110B	I265074	110B-TRQ40NLD2B	Base Assembled Black
110C	I265075	110C-12VSB	Retainer Shift Button Black
110D	I309895	110D-FTH15LD2	Retaining Ring
117	I309896	117-FTH15LD2	Drive Plate
117A	I309899	117A-FTH40NLD2	Drag Washer (Assembly)
117W	I309902	117W-FTH40NLD2	Drag Washer Metal
128	I265084	128-30SLD2	Shift Key
133	I230583	133-12VS	Plate Retaining
134	I265085	134-30SLD2	Gear Stud
134A	I265086	134A-30SLD2	Nut Gear Stud
134B	I265087	134B-30SLD2	Washer Support Gear Stud
141	I265088	141-TRQ15LD2	Cam Follower
141B	I265089	141B-TRQ15LD2	Preset Knob Click Spring
144	I265090	144-TRQ15LD2B	Preset Knob (Black)
149	I184702	149-45	Rod Clamp Nut (2 req)
149A	I184706	149-200	Hex Nut (2 req)
154	I265092	154-TRQ40NLD2	Gear Stud Shim (As Required)
154A	I306668	154A-TRQ40NLD2	Gear Stud Shim (As Required)
154B	I309903	154B-FTH25NLD2	Belleville Distance Washer (2 req)
161	I265097	161-TRQ40NLD2	Locating Button
161A	I265098	161A-TRQ15LD2	Lever Click Pin
161B	I265099	161B-TRQ40NLD2	Strike Button
162	I18280	162-TRQ40NLD2	Spring
171	I265101	171-30SLD2	Plunger Gear Shift
172	I265102	172-12VSB	Shift Button Assembly Black
172B	I184831	172B-30VS	Spacer
173	I192384	173-12VS	Catch, Shifter (2 req)
173A	I230664	173A-12VS	Holder Catch
183	I309908	183-FTH40NLD2	Frame Assembly
195	I184955	195-40	Retaining Ring (2 req)